



Global Environmental Products Inc. offers equipment with uncompromising performance, consistent quality, durability and reliability. Our comprehensive range of machines provide the right cleaning equipment for your application. Please contact us for a demonstration at (909) 713-1600.

- ▶ Reliable / Durable Equipment
- ▶ Innovative Engineering / Design
- ▶ Industry Leading Reputation
- ▶ Dedicated Customer Service
- ▶ Outstanding Sales Professionals
- ▶ Fast Parts and Service
- ▶ National Dealer Network

www.Globalsweeper.com

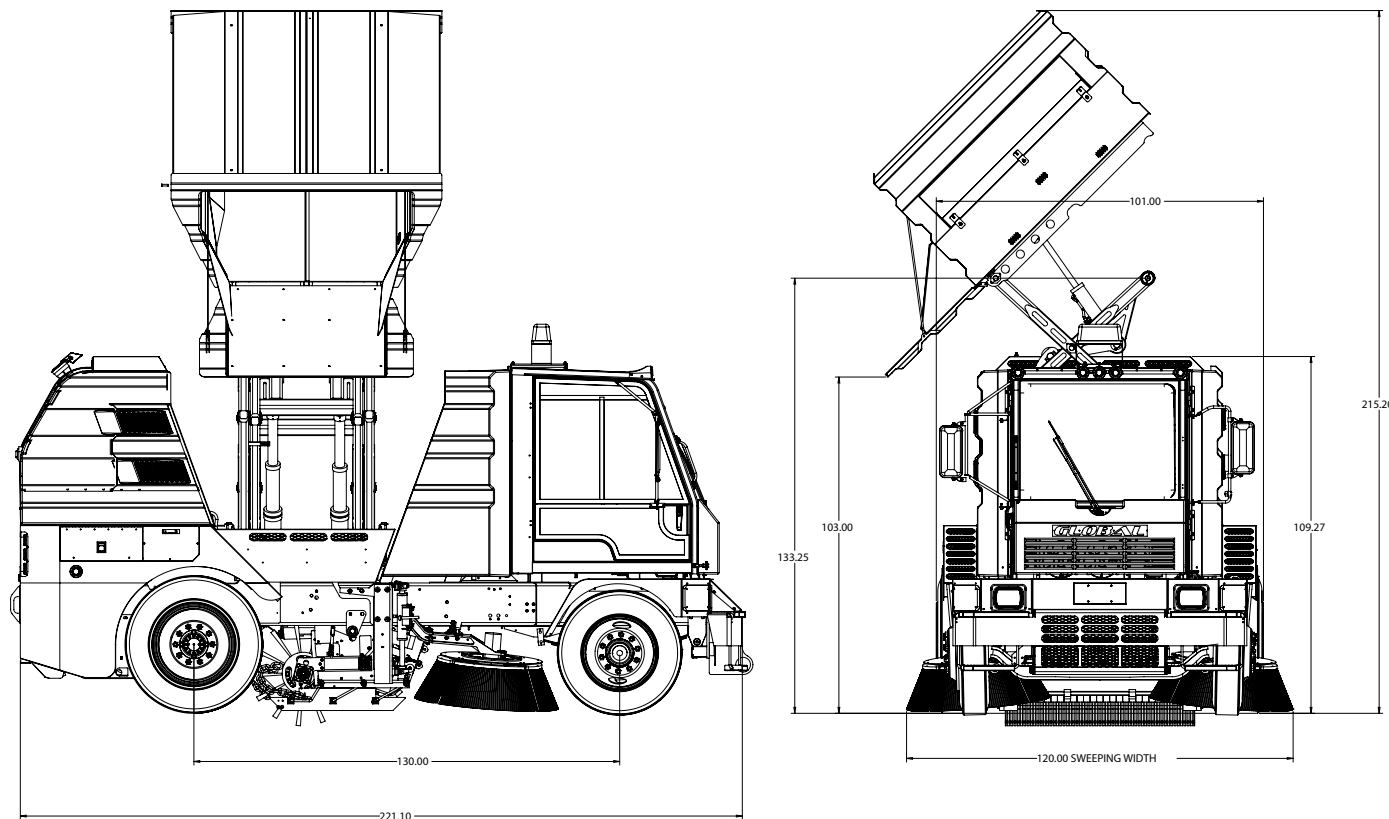
MADE IN USA



Sold and Serviced by:



Global Environmental Products
5405 Industrial Parkway
San Bernardino, CA 92407 USA
909-713-1600
info@globalsweeper.com



© Copyright 2014, Global Environmental Products, Inc. • Specifications may change without notice.



GLOBAL M4^{HSD}

Powerful Cab Forward Purpose Built Street Sweeper

- ▶ Reliable / Durable Equipment
- ▶ Innovative Engineering / Design
- ▶ Industry Leading Reputation
- ▶ Dedicated Customer Service
- ▶ Outstanding Sales Professionals
- ▶ Fast Parts and Service
- ▶ National Dealer Network

GLOBAL M4HSD

PERFORMANCE

- ▶ The high-performance **Global M4HSD** has unsurpassed pick-up capability across its full 125" sweeping path, even when facing the heaviest workloads.
- ▶ The performance matched equal-width pickup broom and elevator system eliminates choke points and improves sweeping speeds.
- ▶ In-cab gutter broom down pressure controls combine with a self-adjusting pickup broom to give superior sweeping ability.
- ▶ The large 5.2 cubic yard hopper has a ribbed design which eliminates rust traps and is mid-mounted for balanced weight distribution and superior loading.

ENGINE

- ▶ Single Engine Design delivers outstanding performance by a fuel-efficient, turbocharged 280-horsepower 6.7 Cummins diesel engine that meets 2013 Emissions Standards.
- ▶ Single Engine Design allows for easy service, less maintenance, lower fuel consumption and a shorter wheelbase making **Global M4HSD** the ultimate purpose built sweeper.

HOPPER

- ▶ The **Global M4HSD's** large 5.2 cu/yd is capable of dumping into containers or dump trucks with heights up to 133".
- ▶ Dumping the large 11,000 lb payload is effortless and is accomplished from within the cab for increased operator safety and efficiency.

A BALANCED SWEEPING SYSTEM

- ▶ The 58-inch wide debris conveyor system features an overthrow design that helps to collect more debris.
- ▶ The 125-inch sweeping path offers unsurpassed pick-up ability even when handling the heaviest of workloads.
- ▶ Performance matched equal-width pickup broom and dirt conveying system delivers faster loading and sweeping speeds.
- ▶ In-cab adjustment of dirt conveyor aperture allows more efficient pick up of leaves and bulkier materials.

▶ PERFORMANCE. SAFETY. RELIABILITY.

The **Global M4HSD** is a street sweeper designed for all your needs. Its purpose-built design offers reliability, safety, low maintenance, and ease of use, resulting in the lowest operating cost per swept mile. These are the fundamental attributes of this high-performance street sweeping machine.

▶ THE BEST TURNING RADIUS

With the center mounted cab/forward layout the operator has unsurpassed visibility of the road surface as well as pedestrians and surrounding traffic. The 130-inch wheelbase allows for the sweeper to reach a turning radius of 18 1/2 feet, wall-to-wall. With the pickup broom in the center you don't have to worry about what is happening behind you.

▶ EXCEPTIONAL VISIBILITY

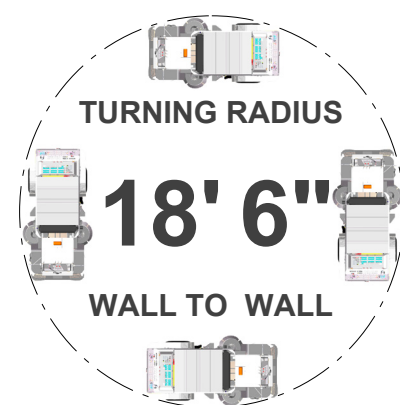


Exceptional visibility increases operator and pedestrian safety.

Patented Polyurethane Dirt Shoes will never damage while sweeping and last 1000 hours. Huge 47" gutter broom versus 36" for the competition. Aggressive forward-facing digger design.



Rear view camera with In-Cab 7" LCD Monitor is standard on every Global Street Sweeper.



The Global M4HSD offers the best maneuverability in its class with its tight turning radius that allows the operator to maneuver easily in cul-de-sacs and close quarters.



Elevator Type: optional 11 Flight squeegee with replaceable corded rubber tips; Continuous molded rubber belts combined with optional triple pump to make Global M4 the logical choice for sweeping heavy debris such as road millings, sand and gravel up to 3-tons per-minute. That is one ton of sand every 20 seconds! Standard leaf gate system assists in picking up large debris, bottles, large branches and leaves.

▶ THE PERFORMANCE YOU NEED

Performance matched equal-width pickup broom and debris conveying system delivers faster loading and sweeping speeds. The purpose-built chassis is based on four decades of experience designing the most effective, and safe, street sweepers in the industry. With the optional heavy sweep package the **Global M4HSD** can sweep gravel, sand, and road millings up 3-Tons per minute. **That is 1-Ton of debris every 20 seconds!**

▶ CAB/FORWARD DESIGN

Cab/Forward design offers exceptional visibility, comfortable and quiet work environment, incredible turning radius, low center of gravity, and rear-engine design provides greater stability, safety, and lower maintenance costs compared to other chassis type mechanical street sweepers.

▶ EASY TO MAINTAIN

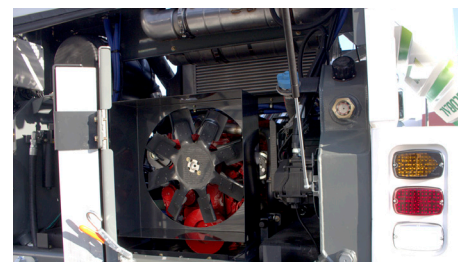
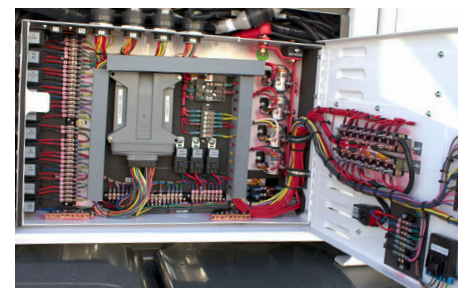


DUST SUPPRESSION SYSTEM consists of 280 Gallon Water tank & (2) Two Water Pumps rated at 3.5GPM @ 45Psi.

The Global M4HSD is designed to make routine maintenance easy, so your sweeper spends more time on the street and less time in the garage. Two swing-out center body panels provide unrestricted access to elevator adjustment, maintenance and daily cleaning. A centralized, weather-proof systems locker fully protects electrical components from the elements while it allows maintenance staff easy accessibility for inspection and troubleshooting.



The Global M4HSD features many maintenance-friendly attributes, such as a rear swing-out radiator, easy access front mounted AC condenser, brake and windshield washer fluid reservoirs, and cab fresh air filter.



OUTSTANDING AGILITY

- ▶ With a 130-inch wheelbase, the **Global M4HSD** handles like a car, moving in, out and around parked vehicles with ease and agility.
- ▶ Unlike chassis mounted sweepers, the **Global M4HSD** is purpose built for heavy sweeping applications with the main broom located in the center of the sweeper minimizing trailing when turning.

EXCEPTIONAL VISIBILITY

- ▶ Increases operator and pedestrian safety. The **Global M4HSD** offers the best operator visibility of any purpose built wheel street sweeper on the market.
- ▶ Front-and-center cab location provides an unobstructed view of the street, curb and gutter brooms at all times.
- ▶ Maximum visibility means increased sweeping efficiency, better operator effectiveness and faster, safer sweeping performance.

COMFORT AND CONVENIENCE TO REDUCE OPERATOR FATIGUE

- ▶ Inside the **Global M4HSD**, the operator is afforded every comfort and convenience to reduce fatigue and increase productivity.
- ▶ An ergonomically designed instrument panel and suspension seat provide superior ride comfort, resulting in reduced operator fatigue throughout the workday.
- ▶ The forward control cab, with over 3,800 square inches of tinted safety glass, along with glass entry door provides the operator with outstanding visibility.
- ▶ Fingertip controls activate climate zone features such as heater, defroster and air conditioning.
- ▶ Parabolic mirrors and side widow defrosters make it easy for the operator to monitor the gutter brooms in any weather.
- ▶ Plush interior is finished with sound absorbing upholstery and door trim keeping operator comfortable alert and alert.

Global M4HSD Available Options

- ▶ AM/FM/CD Stereo with AUX & USB ports
- ▶ Air-Ride Seat
- ▶ In/Cab Gutterbroom Tilt
- ▶ Heavy Sweep Package
- ▶ Elevator Wash-Out System



MADE IN USA